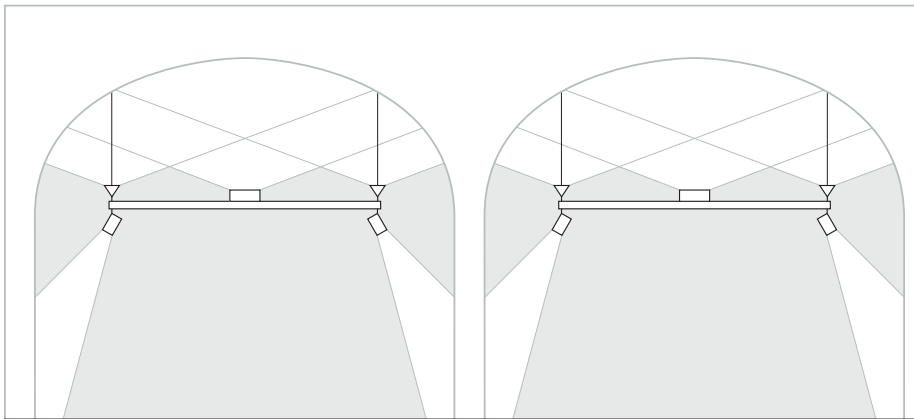
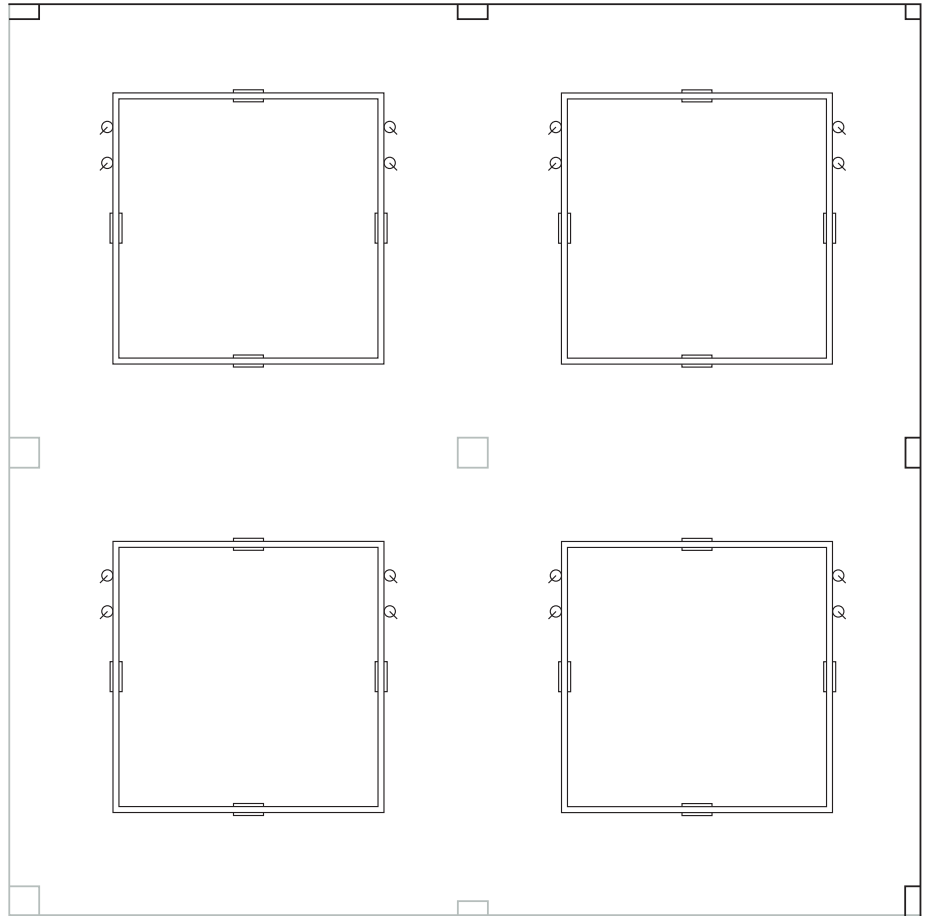


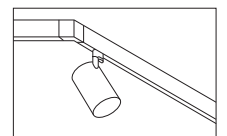
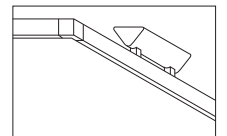
#### 4.16 Vaulted ceilings

Vaulted ceilings are usually found in historical buildings. As a rule, one of the main tasks of the lighting, therefore, is to express the architectural design and architectural elements, e.g. by illuminating the structure of the ceiling or the frescos. The design concept will incorporate indirect or direct-indirect lighting, which will in turn serve to illuminate the architecture and provide ambient lighting.

Since penetration of the historical ceiling surfaces is to be avoided, integral lighting or systems that are complicated to install are out of the question. The lighting is therefore generally installed on pillars and walls or, alternatively, is applied in the form of pendant luminaires and light structures.



A square suspended light structure with uplights for indirect lighting is installed in each vault. Spotlights can be mounted on the lower part of the structure for accent lighting.



Light structure with uplights for halogen lamps and track-mounted spotlights.